

PS-LX52/LX52P

SERVICE MANUAL REVISED

US Model
Canadian Model
AEP Model
E Model
Australian Model
PS-LX52
UK Model
PS-LX52P



Photo : PS-LX52

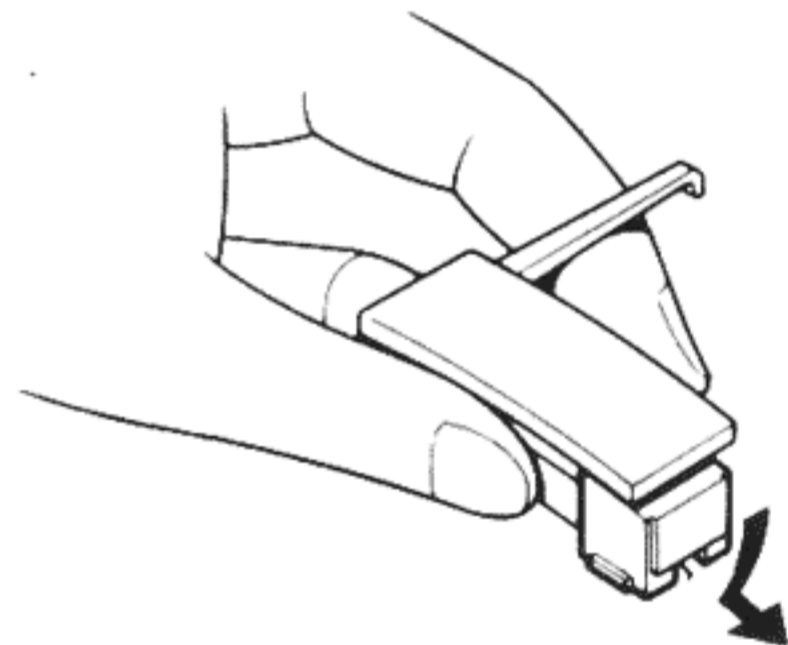
• PS-LX52P is the STEREO TURNTABLE SYSTEM in LBT-D109CD/LBT-A17CD/LBT-D108CD/LBT-D159CD/LBT-D209CD/LBT-D259CD/LBT-D309CD/LBT-D359CD.

SPECIFICATIONS

| | |
|------------------------|---|
| Turntable | |
| Platter | 30cm (12 in.) |
| Motor | DC servo motor |
| Drive system | Belt drive |
| Speed | 33 $\frac{1}{3}$ rpm/45 rpm switchable |
| Wow and flutter | 0.2% (WRMS) |
| Signal-to-noise ratio | 60 dB (DIN-B) |
| Automatic System | Return, reject |
| Tonearm | |
| Type | Dynamically balanced |
| Pivot-to-stylus length | 203 mm (8 in.) |
| Overall arm length | 235 mm (9 $\frac{1}{4}$ in.) |
| Cartridge | |
| Type | Moving magnet type |
| Frequency response | 20 Hz-20 kHz |
| Stylus | ND-155G |
| General | |
| Dimensions | 355 x 94 x 345 mm(w/h/d) (14 x 3 $\frac{3}{4}$ x 13 $\frac{5}{8}$ inches) |
| Weight | Approx. 2.5 kg (5 lb 8 oz) |
| Power requirement | US, Canadian model: 120V AC, 60 Hz AEP, Italian, East European, CIS model: 220-230V AC, 50/60 Hz UK model: 12V DC PX, E, Saudi Arabia, Singapore, Malaysia model: 110-120V/220-240V AC, adjustable with the voltage selector, 50/60 Hz Australian model: 240V AC, 50 Hz |
| Power consumption | 4W (except UK model) |
| Accessory supplied | 45-rpm adaptor (1) |
| Optional accessories | Replacement stylus ND-155G Stat spray XP-C10 Cleaner XP-C1, XP-C2 |

Design and specifications subject to change without notice.

REPLACING THE STYLUS



Replace the stylus after about 400 hours of use because using a worn stylus will damage records. An ND-155G replacement stylus is available at your Sony dealer. Be sure to turn the amplifier off before proceeding with replacement.

1. While holding the cartridge, detach the stylus assembly as illustrated.
2. Insert the new stylus into the cartridge.

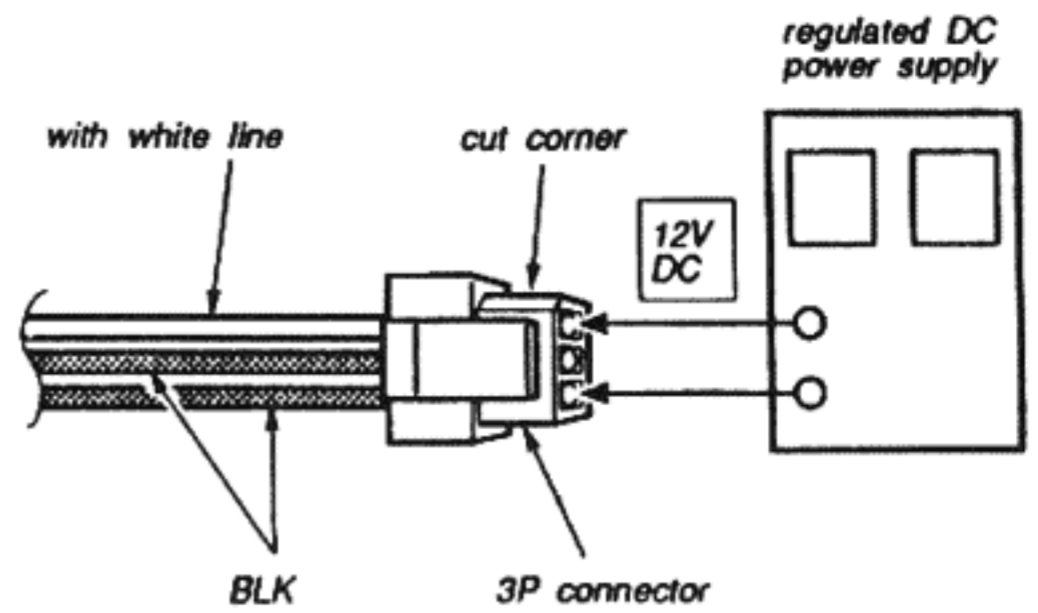


STEREO TURNTABLE SYSTEM
SONY[®]

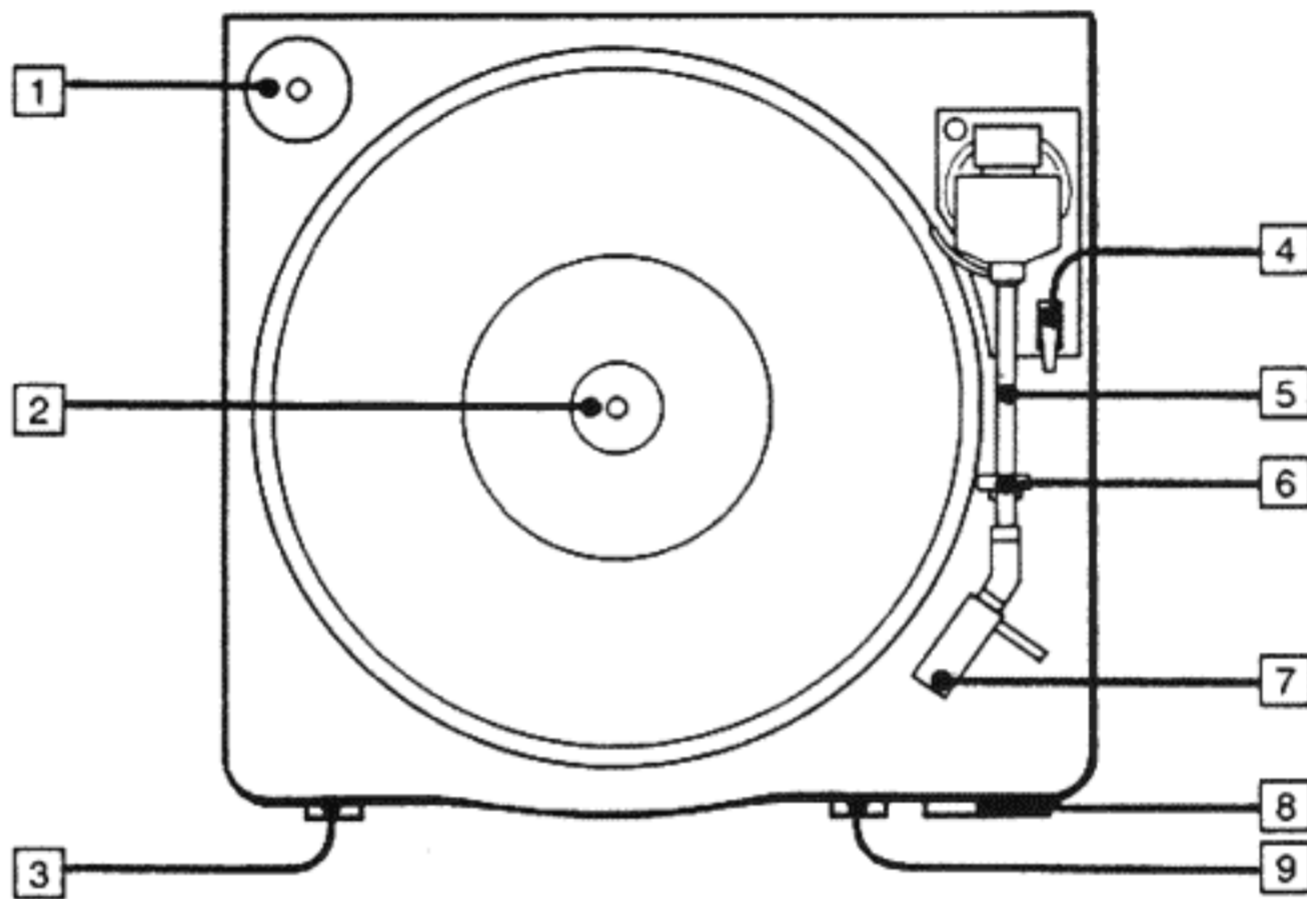
REPAIRING PRECAUTION (PS-LX52P only)

[To supply B+ voltage]

The power of this unit is fed from HST model. Because of this, connect the regulated power supply as illustrated right when this unit alone operates.

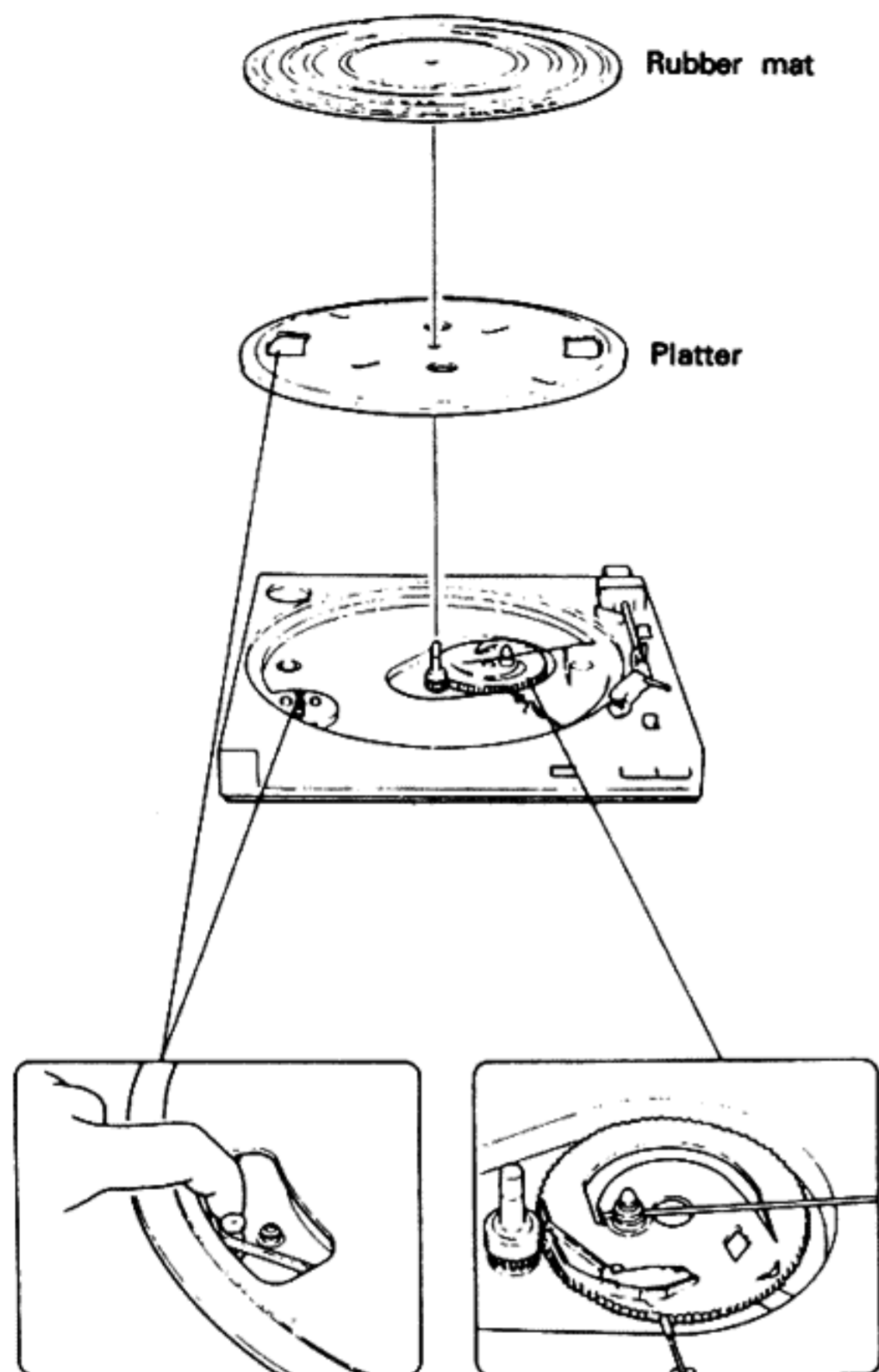


LOCATION OF CONTROLS



- 1 45-rpm adaptor
- 2 Center spindle
- 3 POWER switch (PS-LX52 only)
- 4 Cueing lever
- 5 Tonearm
- 6 Arm rest
- 7 Cartridge
- 8 REJECT button
- 9 Speed selector

TURNTABLE ASSEMBLY

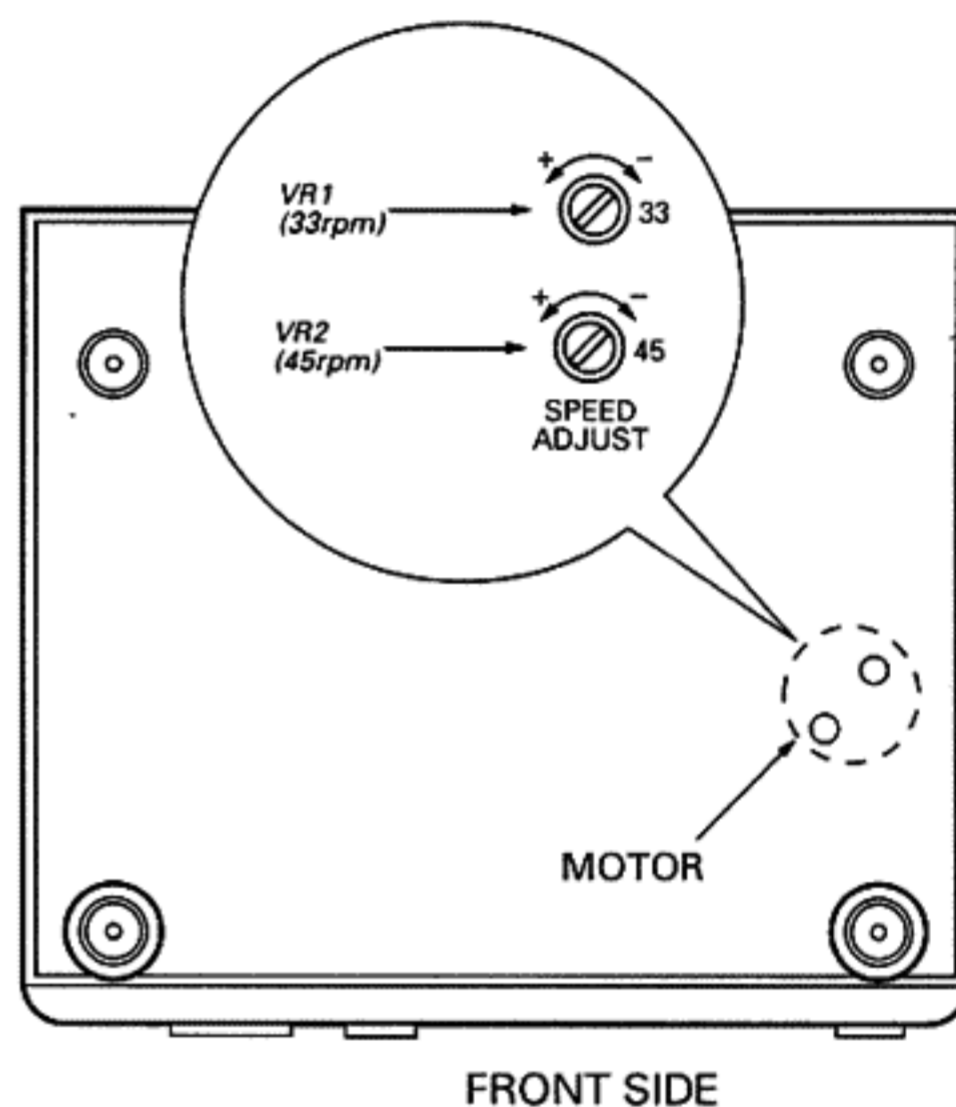


Hook the belt on the motor pulley.
If the belt is removed from the platter, replace it with
the glossy side outward.

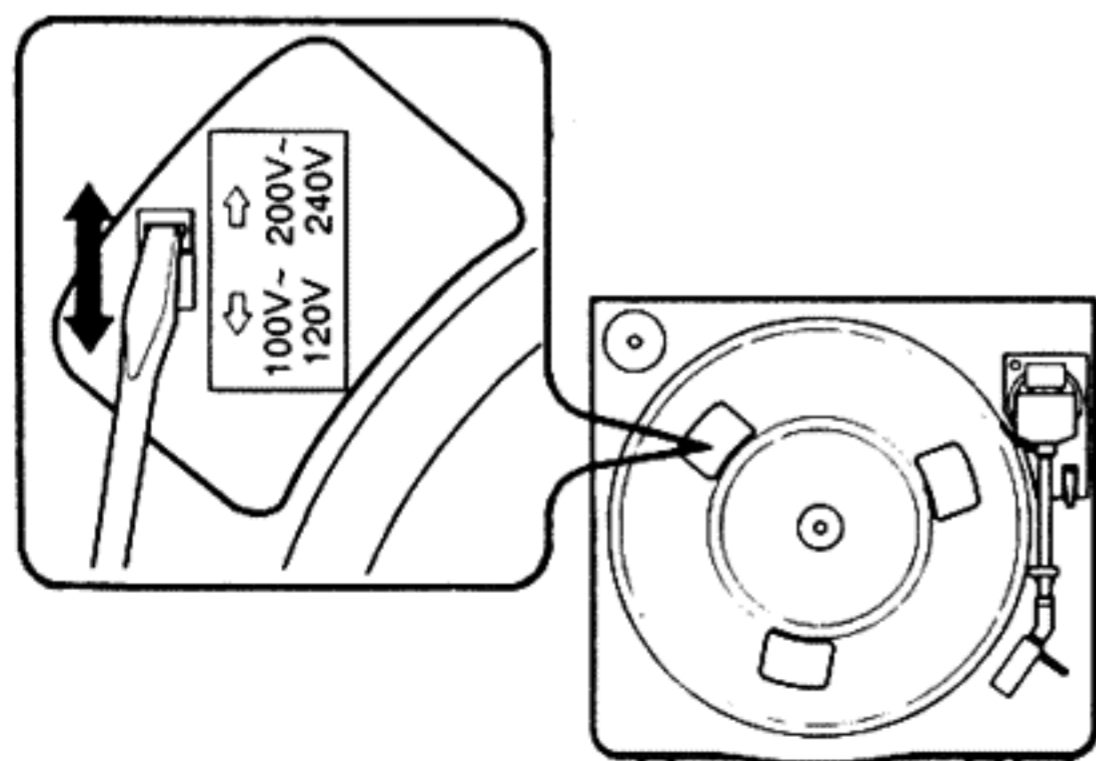
Speed Adjustment

Note: Be sure to perform 45rpm adjustment before 33rpm.

1. Place a stroboscope board on the turntable sheet.
Set the SPEED switch to 45.
Press the START button.
Adjust VR2 so that the striped pattern of stroboscope board is stationary.
3. Set the SPEED switch to 33.
Adjust VR1 in the same way.



FRONT SIDE



Setting the Voltage Selector

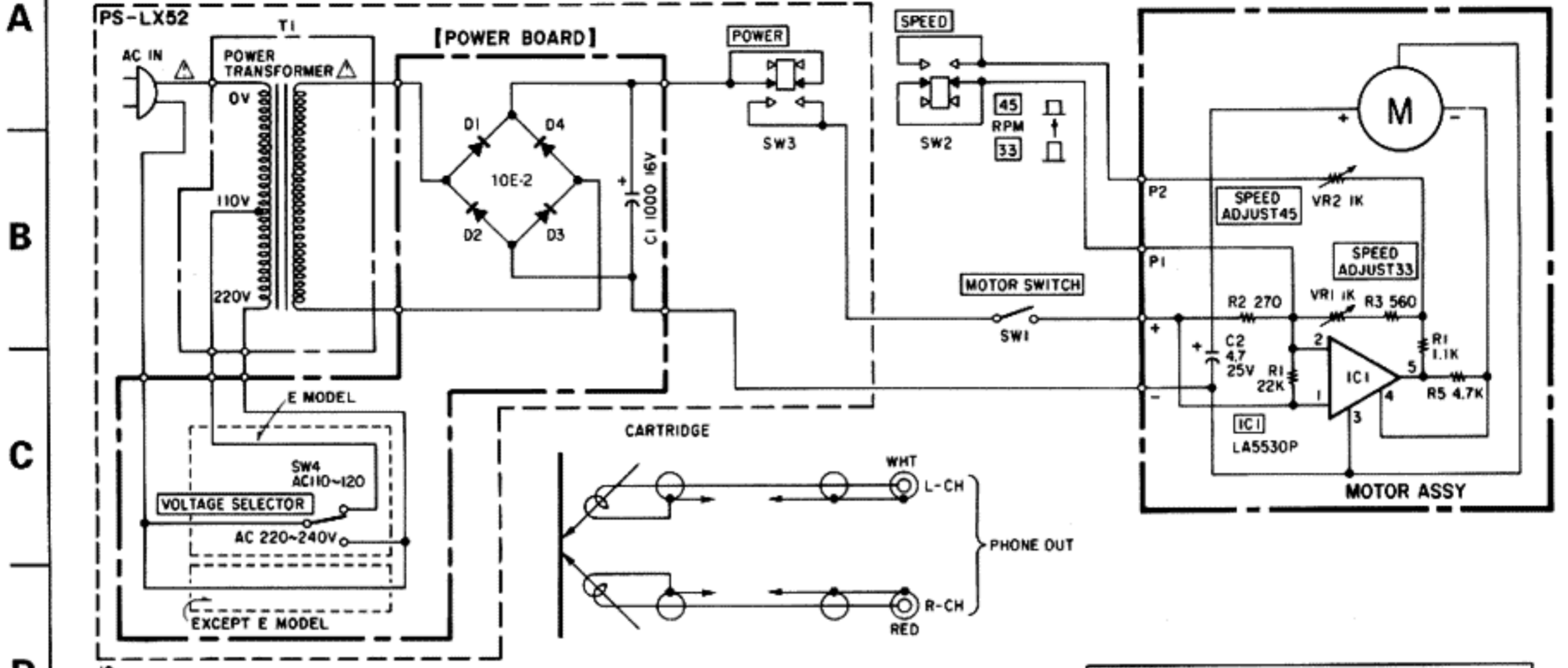
PS-LX52 (E, Saudi Arabia, PX, Singapore, Malaysia model)

For customers of the model equipped with the voltage selector

Check to confirm that the voltage selector is set to the local power line voltage. If not, set the voltage selector to the correct position before connecting the AC power cord to a wall outlet.

1 2 3 4 5 6 7

SCHEMATIC DIAGRAM



NOTE:

- All capacitors are in μF unless otherwise noted. pF : μF 50WV or less are not indicated except for electrolytics and tantalums.
- All resistors are in Ω and 1/4W or less unless otherwise specified.

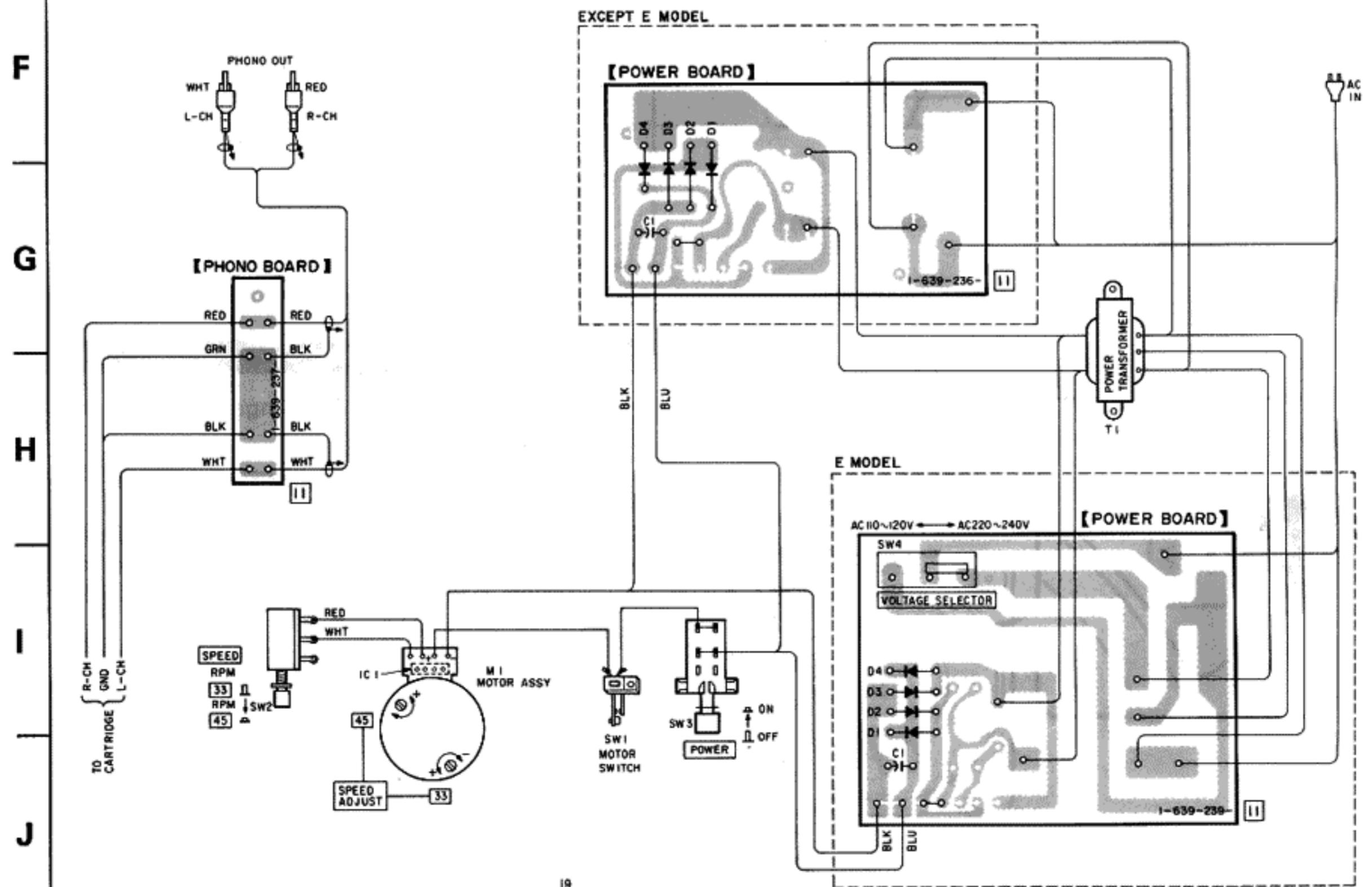
• Switches :

| Ref.No. | Switch | Position |
|---------|--------|----------|
| SW1 | MOTOR | OFF |
| SW2 | SPEED | 33 |
| SW3 | POWER | OFF |

The components identified by mark Δ or dotted line with mark Δ are critical for safety. Replace only with part number specified.

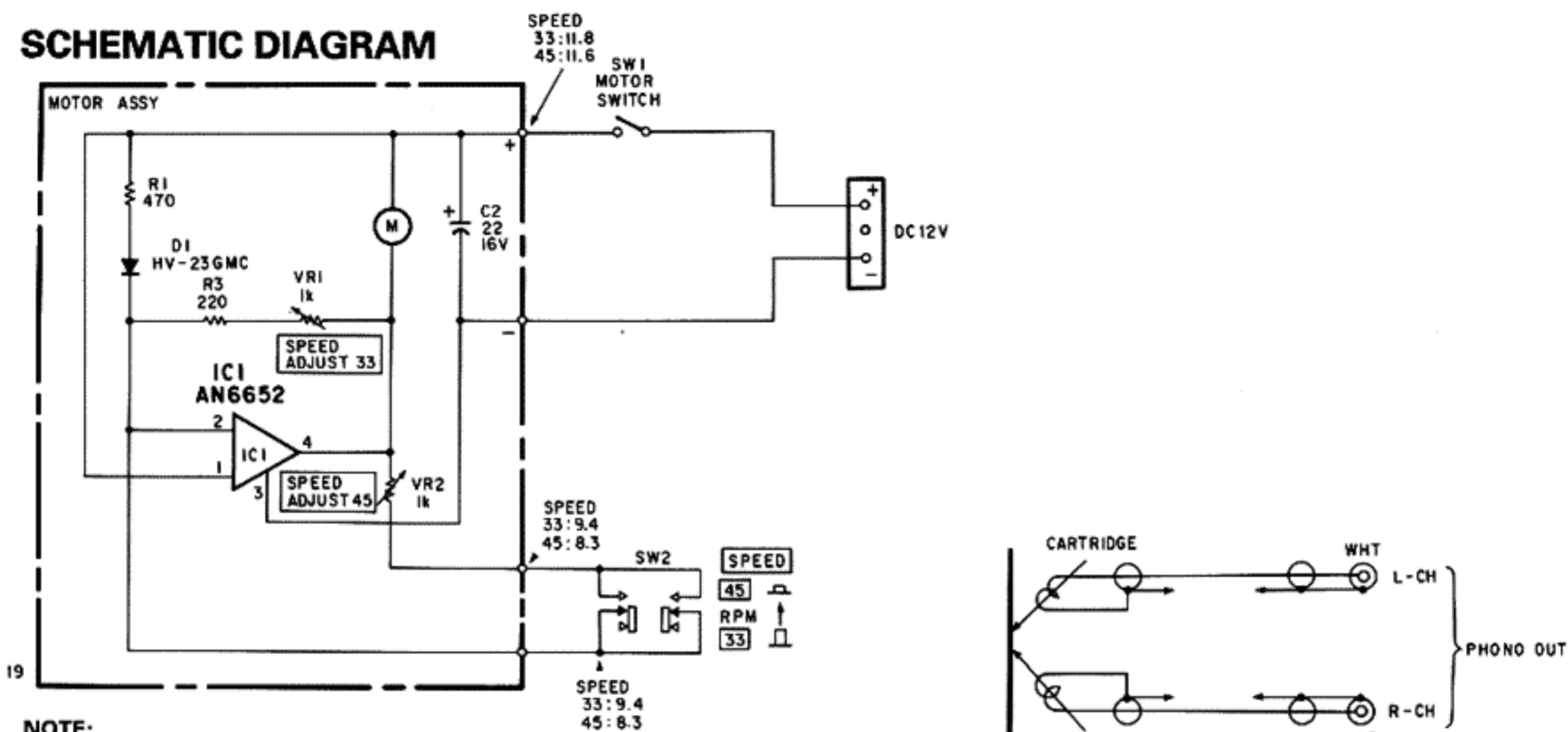
Les composants identifiés par une marque Δ sont critiques pour la sécurité. Ne les remplacer que par une pièce portant le numéro spécifié.

WIRING DIAGRAM



1 2 3 4 5 6 7

SCHEMATIC DIAGRAM



NOTE:

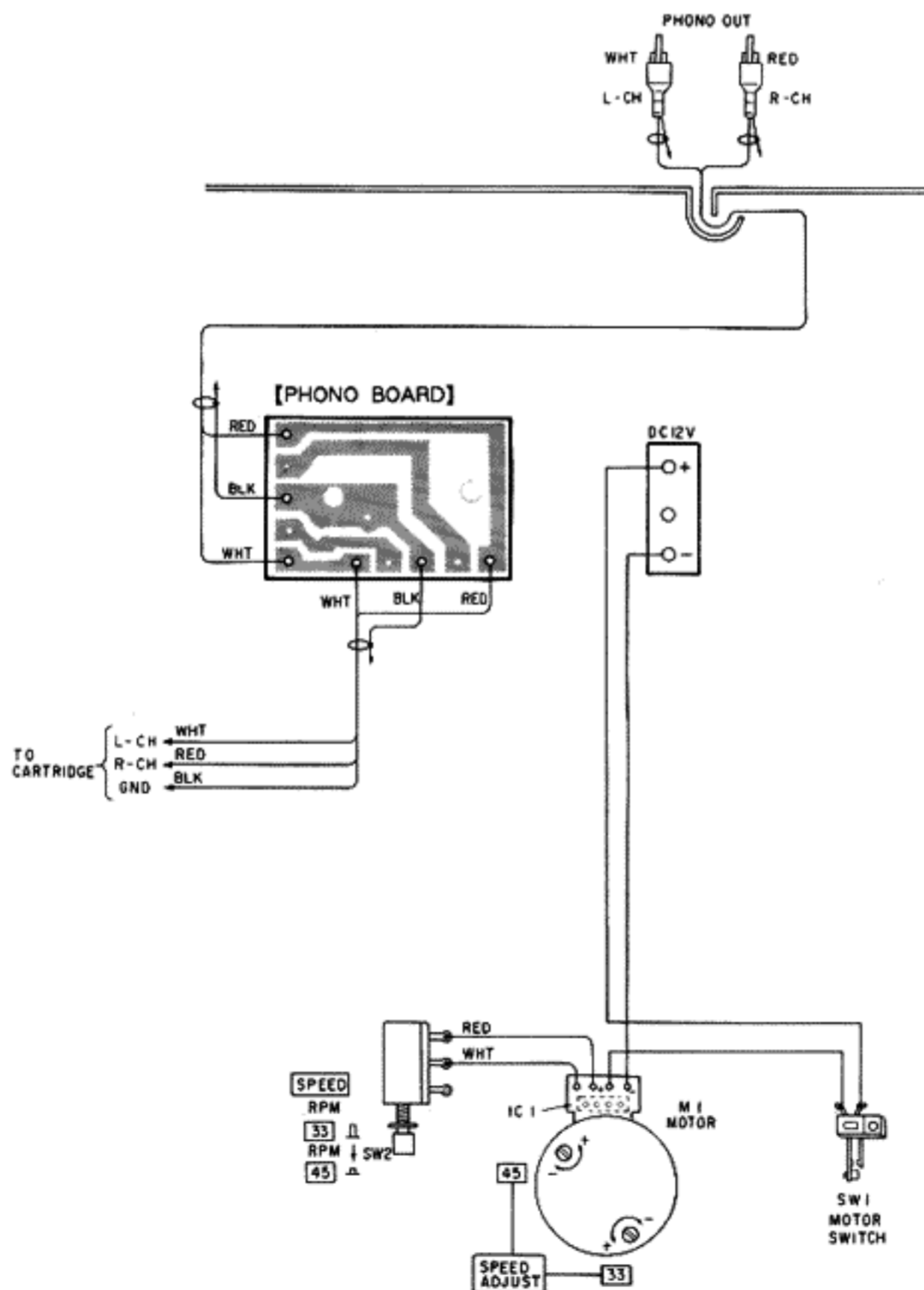
- All capacitors are in μF unless otherwise noted. $\text{pF} : \mu\text{F}$ 50WV or less are not indicated except for electrolytics and tantalums.
- All resistors are in Ω and 1/4W or less unless otherwise specified.

Switches :

| Ref.No. | Switch | Position |
|---------|--------|----------|
| SW1 | MOTOR | OFF |
| SW2 | SPEED | 33 |
| SW3 | POWER | OFF |

The components identified by mark Δ or dotted line with mark Δ are critical for safety. Replace only with part number specified.

WIRING DIAGRAM



EXPLODED VIEW [PS-LX52]

NOTE:

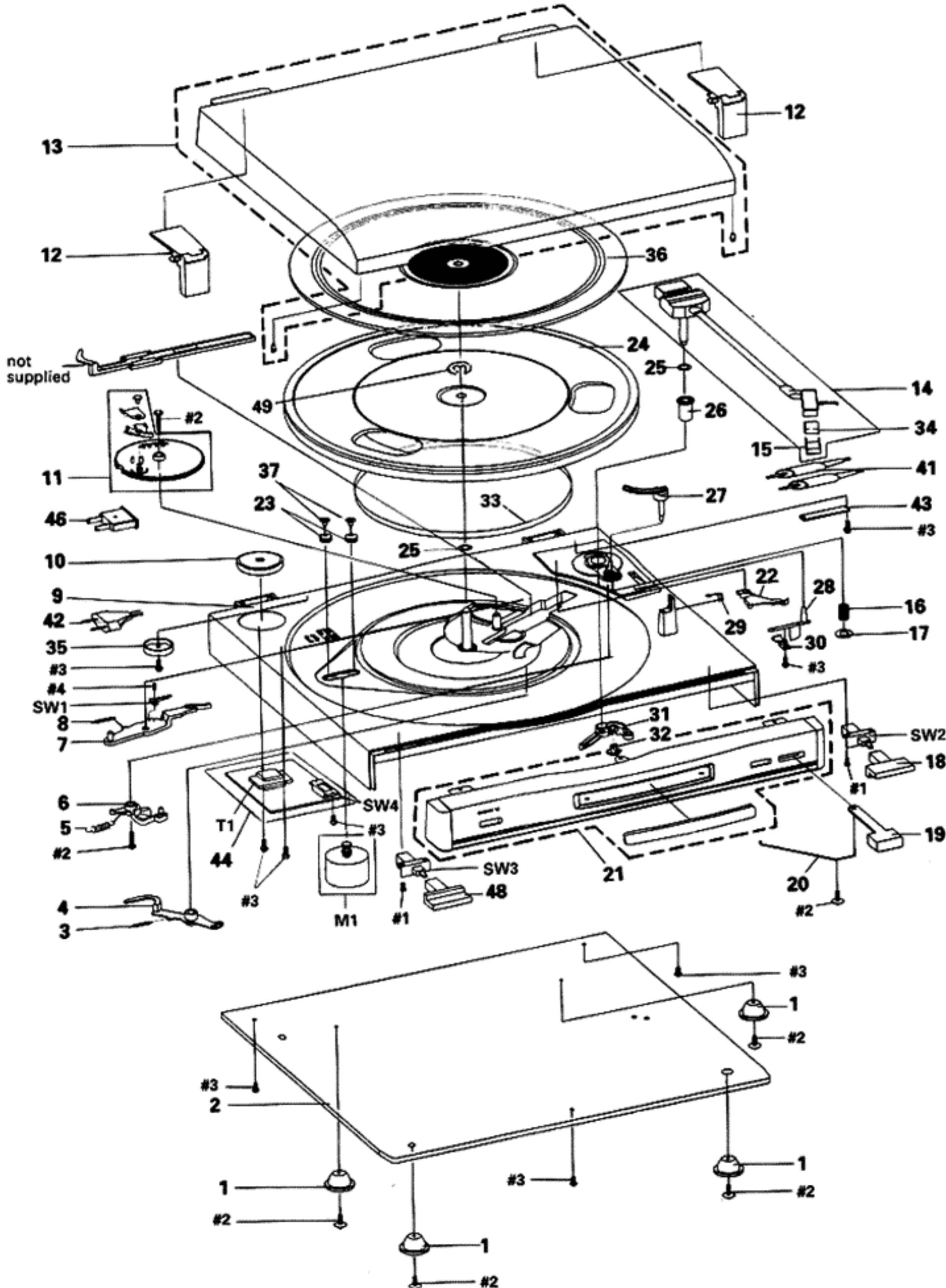
- -XX, -X mean standardized parts, so they may have some differences from the original one.
- The construction parts of an assembled part are indicated with a collation number in the remark column.
- Items marked " * " are not stocked since they are seldom required for routine service. Some delay should be anticipated when ordering these items.
- The mechanical parts with no reference number in the exploded views are not supplied.

- Screw(# mark) list is given in the last of this parts list.

The components identified by mark Δ or dotted line with mark Δ are critical for safety. Replace only with part number specified.

Les composants identifiés par une marque Δ sont critiques pour la sécurité. Ne les remplacer que par une pièce portant le numéro spécifié.

- PX, Saudi Arabia, Singapore and Malaysia models are identical to E model.
- Italian, EE, and CIS models are identical to AEP model.
- AUS: Australian model
- EE: East European model



| Ref. No. | Part No. | Description | Remarks | Ref. No. | Part No. | Description | Remarks |
|----------|--------------|-----------------------|---------|----------|--------------|------------------------------|---------|
| 1 | 4-950-472-01 | FOOT | | 28 | 4-950-440-01 | LEVER-CUEING | |
| * 2 | 4-958-328-01 | COVER-BOTTOM | | 29 | 4-950-439-01 | LOCKER-ARM | |
| 3 | 4-950-453-01 | SPRING-REJECT | | 30 | 4-950-441-01 | BRACKET-CUEING | |
| 4 | 4-950-452-01 | LEVER-REJECT | | 31 | 4-950-450-01 | ARM-FEED | |
| 5 | 4-950-455-01 | SPRING-ELEVATOR | | 32 | 4-950-451-01 | CAM-ADJUST | |
| 6 | 4-950-454-01 | ELEVATOR | | 33 | 4-950-434-01 | BELT | |
| 7 | 4-950-463-01 | ARM-CONTROL | | 34 | 4-944-756-01 | CARTRIDGE (AT-3600LAX) | |
| 8 | 4-950-464-01 | SPRING-CONTROL ARM | | * 35 | 4-950-514-01 | WASHER CODE | |
| * 9 | 4-950-431-01 | CABINET-UPPER | | 36 | A-4660-142-A | RUBBER ASSY, SHEET | |
| 10 | 4-950-467-01 | ADAPTOR-45RPM | | 37 | 4-950-469-01 | SCREW-SETTING MOTOR | |
| 11 | A-4660-140-A | GEAR ASSY, RING | | 41 | 1-590-871-11 | CORD, CONNECTION (3 CORE) | |
| 12 | 4-950-432-01 | HINGE | | △42 | 1-590-836-11 | CORD, POWER (E) | |
| 13 | A-4660-138-A | COVER ASSY, DUST | | △42 | 1-551-294-11 | CORD, POWER (AEP) | |
| 14 | A-4660-384-A | ARM ASSY, TONE | | △42 | 1-696-382-11 | CORD, POWER (US, Canadian) | |
| 15 | 4-944-756-01 | STYLUS (ND-155G) | | △42 | 1-696-848-11 | CORD, POWER (AUS) | |
| 16 | 4-950-442-01 | SPRING-ELEVATION | | 43 | 1-639-237-11 | PHONE BOARD | |
| 17 | 4-950-444-01 | WASHER-C/S | | 44 | 1-639-239-11 | POWER BOARD (E) | |
| 18 | 4-956-873-01 | BUTTON-SPEED | | 44 | 1-639-236-11 | POWER BOARD (EXCEPT E) | |
| 19 | 4-956-872-01 | BUTTON-REJECT | | △46 | 1-693-159-11 | ADAPTER, AC (E) | |
| 20 | 4-950-448-01 | LINK-REJECT | | 48 | 4-956-874-01 | BUTTON POWER | |
| 21 | A-4660-361-A | PANEL (G) ASSY, FRONT | | 49 | 4-953-059-01 | E RING | |
| 22 | 4-953-060-01 | LEVER, SWITCH | | M1 | A-4660-141-A | MOTOR ASSY | |
| 23 | 4-950-470-01 | CUSHION-MOTOR | | SW1 | 1-572-746-11 | SWITCH, LEAF | |
| 24 | 4-950-433-01 | PLATTER | | SW2 | 1-572-744-11 | SWITCH, PUSH (2 KEY) (SPEED) | |
| 25 | 4-950-435-01 | SPACER | | △SW3 | 1-572-744-11 | SWITCH, PUSH (POWER) | |
| 26 | 4-950-436-01 | BUSHING-TONE ARM | | △SW4 | 1-572-745-11 | VOLTAGE SELECTOR (E) | |
| 27 | 4-950-437-01 | ARM-ELEVATION | | △T1 | 1-450-508-11 | TRANSFORMER, POWER | |

ELECTRICAL PARTS LIST [PS-LX52]

NOTE:

The components identified by mark Δ or dotted line with mark Δ are critical for safety.
Replace only with part number specified.

Les composants identifiés par une marque Δ sont critiques pour la sécurité.
Ne les remplacer que par une pièce portant le numéro spécifié.

When indicating parts by reference number, please include the board name.

- Due to standardization, replacements in the parts list may be different from the parts specified in the diagrams or the components used on the set.
- -XX, -X mean standardized parts, so they may have some difference from the original one.
- Items marked "*" are not stocked since they are seldom required for routine service. Some delay should be anticipated when ordering these items.
- CAPACITORS
MF : μ F, PF : μ μ F
- PX, Saudi Arabia, Singapore and Malaysia models are identical to E model.
- Italian, EE, and CIS models are identical to AEP model.
- AUS: Australian model
- EE: East European model

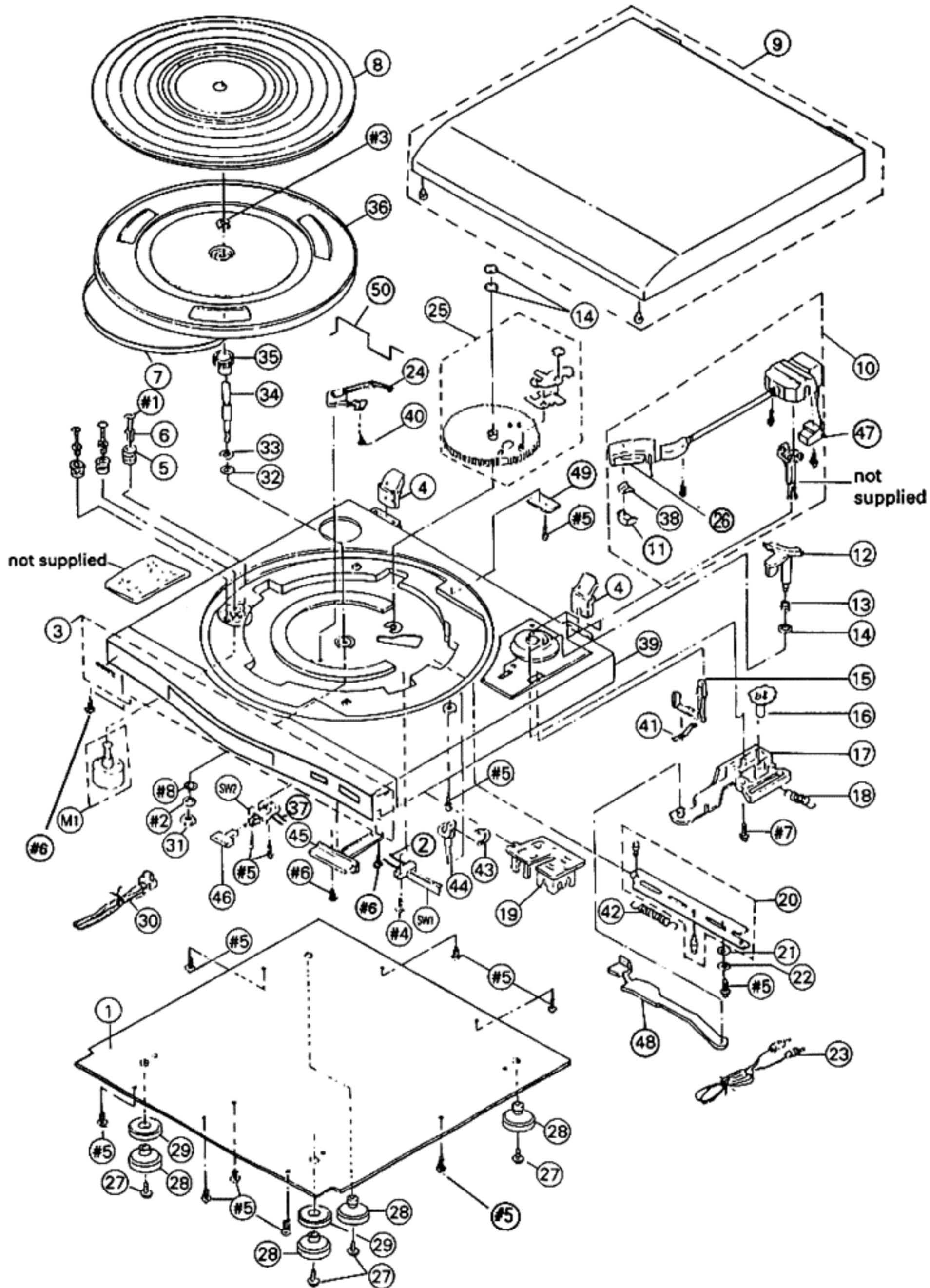
| Ref. No. | Part No. | Description | Remarks | Ref. No. | Part No. | Description | Remarks |
|---------------|---------------|------------------------------|----------------------|---------------------------------|--------------|--|---------|
| | 1-639-239-11 | POWER BOARD (E) | | △SW4 | 1-572-745-11 | VOLTAGE SELECTOR (E) | |
| | 1-639-236-11 | POWER BOARD (EXCEPT E) | | △T1 | 1-450-508-11 | TRANSFORMER, POWER | |
| | ***** | | | ***** | | | |
| | < CAPACITOR > | | | ACCESSORIES & PACKING MATERIALS | | | |
| | ***** | | | ***** | | | |
| C1 | 1-124-360-00 | ELECT | 1000 μ F 20% 16V | * | 4-947-532-01 | SNOW BOX (L) | |
| | < DIODE > | | | * | 4-947-533-01 | SNOW BOX (R) | |
| | | | | * | 4-956-071-01 | INDIVIDUAL CARTON | |
| D1-4 | 8-719-200-02 | DIODE | 10E-2 | | 3-756-211-11 | MANUAL, INSTRUCTION (English, French, Spanish, Portuguese) (AEP, Canadian) | |
| ***** | | | | | | | |
| MISCELLANEOUS | | | | | | | |
| ***** | | | | | | | |
| 41 | 1-590-871-11 | CORD, CONNECTION (3 CORE) | | | 3-756-211-21 | MANUAL, INSTRUCTION (English) (US) | |
| △42 | 1-590-836-11 | CORD, POWER (E) | | | 3-756-211-41 | MANUAL, INSTRUCTION (German, Dutch, Swedish, Italian) (AEP) | |
| △42 | 1-551-294-11 | CORD, POWER (AEP) | | | 3-756-211-51 | MANUAL, INSTRUCTION (English, French, Spanish, Chinese) (E, AUS) | |
| △42 | 1-696-382-11 | CORD, POWER (US, Canadian) | | | 3-756-211-61 | MANUAL, INSTRUCTION (English, German, Polish, Russian) (EE, CIS) | |
| △42 | 1-696-848-11 | CORD, POWER (AUS) | | ***** | | | |
| 43 | 1-639-237-11 | PHONE BOARD | | HARDWARE LIST | | | |
| △46 | 1-693-159-11 | ADAPTER, AC (E) | | #1 | 7-685-246-19 | SCREW +KTP 3X8 TYPE2 NON-SLIT | |
| SW1 | 1-572-746-11 | SWITCH, LEAF | | #2 | 7-685-903-21 | SCREW +PTPWH 3X8 TYPE2 | |
| SW2 | 1-572-744-11 | SWITCH, PUSH (2 KEY) (SPEED) | | #3 | 7-685-546-19 | SCREW | |
| △SW3 | 1-572-744-11 | SWITCH, PUSH (POWER) | | #4 | 7-685-104-11 | SCREW +P 2X6 TYPE2 NON-SLIT | |

EXPLODED VIEW [PS-LX52P]

NOTE:

- XX, -X mean standardized parts, so they may have some differences from the original one.
- The construction parts of an assembled part are indicated with a collation number in the remark column.
- Items marked "*" are not stocked since they are seldom required for routine service. Some delay should be anticipated when ordering these items.
- The mechanical parts with no reference number in the exploded views are not supplied.
- Screw(# mark) list is given in the last of this parts list.

The components identified by mark Δ or dotted line with mark Δ are critical for safety. Replace only with part number specified.



| Ref. No. | Part No. | Description | Remarks | Ref. No. | Part No. | Description | Remarks |
|----------|--------------|-----------------------|---------|----------|--------------|---------------------|---------|
| 1 | 4-950-488-01 | BOTTOM BOARD | | 6 | 4-947-504-01 | COLLAR | |
| 2 | 1-696-144-11 | WIRE (45) RED | | 7 | 4-947-503-01 | BELT | |
| 3 | A-4660-303-A | PANEL (G) ASSY, FRONT | | 8 | A-4674-087-A | TURN TABLE MAT ASSY | |
| 4 | 4-947-476-01 | HINGE | | 9 | A-4604-946-A | DUST COVER ASSY | |
| 5 | 4-947-505-01 | CUSHION, MOTOR | | | | | |

| Ref. No. | Part No. | Description | Remarks | Ref. No. | Part No. | Description | Remarks |
|----------|--------------|-------------------|---------|----------|--------------|-------------------|---------|
| 10 | A-4604-940-A | ARM ASSY, TONE | | 30 | 1-557-109-21 | DC CORD | |
| 11 | 4-948-095-01 | COVER CARTRIDGE | | 31 | 4-947-510-01 | NUT | |
| 12 | 4-947-466-01 | TONE ARM ELEVATOR | | 32 | 3-451-162-00 | WASHER (56) | |
| 13 | 4-947-467-01 | SPRING (6) | | 33 | 3-701-445-21 | WASHER | |
| 14 | 4-947-514-01 | 4MM CS RING | | 34 | 4-947-498-01 | STELL BALL | |
| 15 | 4-947-468-01 | LEVER, CUEING | | 35 | 4-947-497-01 | GEAR | |
| 16 | 4-947-470-01 | ADJUST CAM | | 36 | 4-947-494-01 | TURNTABLE PLATTER | |
| * 17 | 4-947-471-01 | LINK, RETURN | | 37 | 1-696-143-11 | WIRE (30) (WHT) | |
| 18 | 4-947-472-01 | SPRING (9-1) | | 38 | 4-951-290-01 | STYLUS (CN234) | |
| 19 | 4-956-998-01 | BUTTON BASE | | 39 | 4-947-475-01 | MAIN CABINET (G) | |
| 20 | A-4660-302-A | LEVER RETURN ASSY | | 40 | 4-947-496-01 | SPRING (34) | |
| 21 | 3-659-350-00 | WASHER | | * 41 | 4-947-477-01 | CUEING (BASE) | |
| 22 | 4-890-173-00 | WASHER | | 42 | 4-947-485-01 | SPRING (22) | |
| 23 | 1-555-116-11 | PHONO CORD | | 43 | 4-947-490-01 | ARM CLIP | |
| 24 | 4-947-495-01 | WIPER REJECT | | 44 | 4-947-491-01 | ARM REST | |
| 25 | A-4604-916-A | GEAR ASSY, SPUR | | 45 | 4-956-997-01 | KNOB REJECT | |
| 26 | 1-251-028-11 | CARTRIDGE (MAIN) | | 46 | 4-956-996-01 | KNOB SPEED | |
| 27 | 4-950-497-01 | FOOT SEAT | | 47 | 4-947-464-01 | COUNTER WEIGHT | |
| 28 | 4-950-490-01 | PLASTIC STAND | | * 48 | 4-947-487-01 | RETURN LINK | |
| 29 | 4-950-489-01 | FOOT RING | | 49 | 1-644-410-11 | P. C BOARD | |
| | | | | 50 | 4-948-101-01 | SPRING (38) | |

ELECTRICAL PARTS LIST [PS-LX52P]

NOTE:

The components identified by mark Δ or dotted line with mark Δ are critical for safety.
Replace only with part number specified.

When indicating parts by reference number, please include the board name.

- XX, -X mean standardized parts, so they may have some difference from the original one.
- Items marked "*" are not stocked since they are seldom required for routine service. Some delay should be anticipated when ordering these items.

- Due to standardization, replacements in the parts list may be different from the parts specified in the diagrams or the components used on the set.

| Ref. No. | Part No. | Description | Remarks | Ref. No. | Part No. | Description | Remarks |
|---------------------------------|--------------|---------------------|---------|----------------------|--------------|------------------------------|---------|
| 23 | 1-555-116-11 | PHONO CORD | | HARDWARE LIST | | | |
| 30 | 1-557-109-21 | DC CORD | | #1 | 7-621-773-87 | SCREW +B 2.6X10 | |
| * 49 | 1-644-410-11 | P. C BOARD | | #2 | 7-623-210-22 | SW4, TYPE 2 | |
| M1 | A-4604-945-A | MOTOR ASSY | | #3 | 7-624-110-04 | STOP RING 6.0, TYPE-E | |
| SW1 | 1-570-666-11 | SWITCH (MOTOR) | | #4 | 7-685-105-19 | SCREW +P 2X8 TYPE 2 NON-SLIT | |
| SW2 | 1-571-089-11 | PUSH SWITCH (SPEED) | | #5 | 7-685-647-79 | SCREW +BVTP 3X10 TYPE 2 IT-3 | |
| ***** | | | | #6 | 7-685-646-79 | SCREW +BVTP 3X8 TYPE 2 IT-3 | |
| ACCESSORIES & PACKING MATERIALS | | | | #7 | 7-685-645-79 | SCREW +BVTP 3X6 TYPE 2 IT-3 | |
| ***** | | | | #8 | 7-688-005-01 | W5, SMALL | |
| * 4-947-532-01 | | SNOW BOX (L) | | | | | |
| * 4-947-533-01 | | SNOW BOX (R) | | | | | |
| * 4-957-002-01 | | CARTON | | | | | |
| ***** | | | | | | | |

